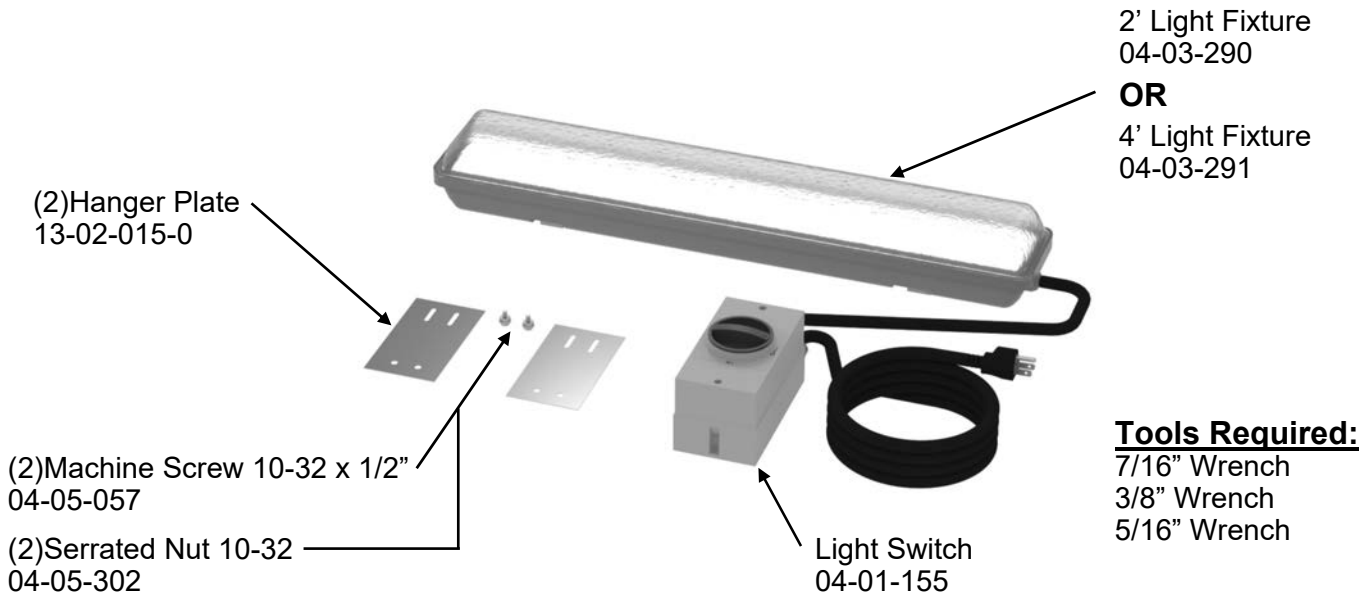
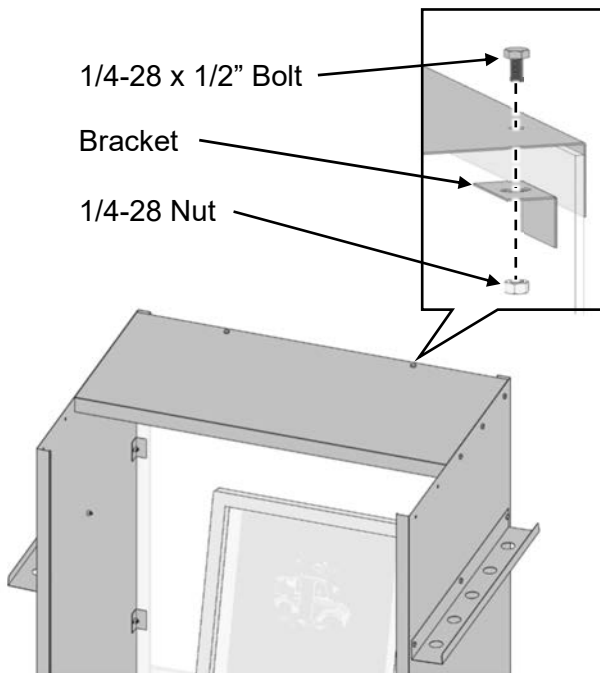


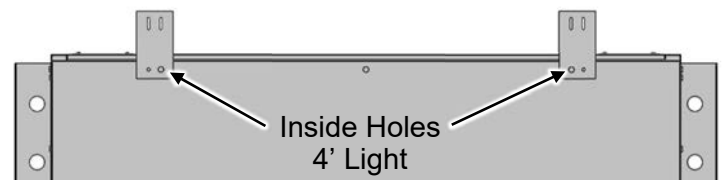
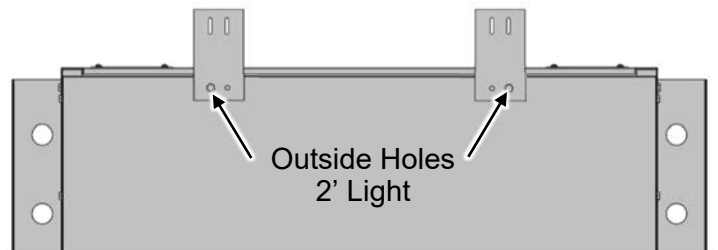
## Washout Booth Light Kit Upgrade Installation



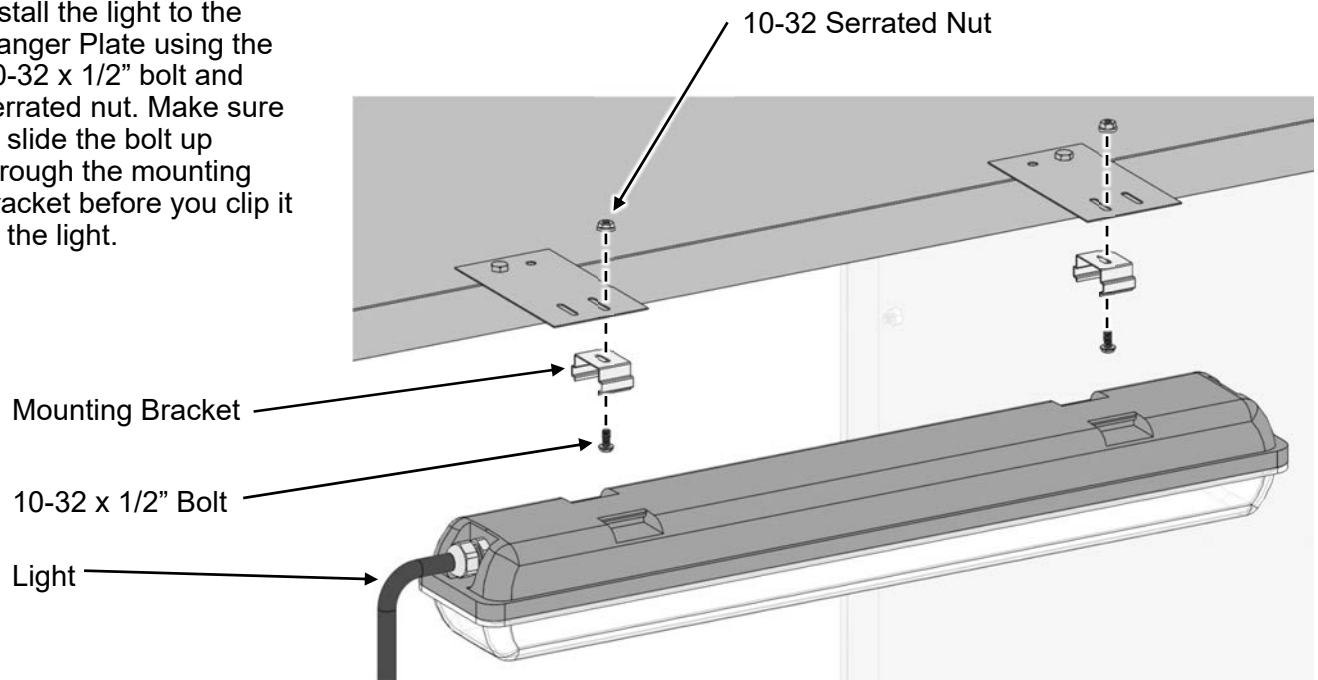
- 1) Remove the (2) 1/4-28 x 1/2" bolts, (2) nuts, and (2) brackets from the top of the washout booth.



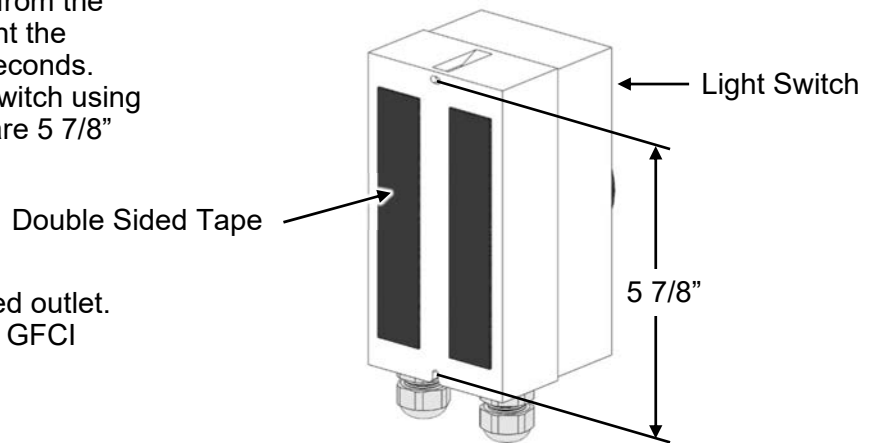
- 2) Install the Hanger Plate (13-02-015-0) on to the top of the washout booth using the same hardware that the brackets are using from step 1. Install the Hanger Plate between the top of the booth and the 1/4-28 bolt. For the 2' long light make sure to use the two outside holes on the Hanger Plate. For the 4' long light make sure to use the two inside holes on the Hanger Plate. See below for help.



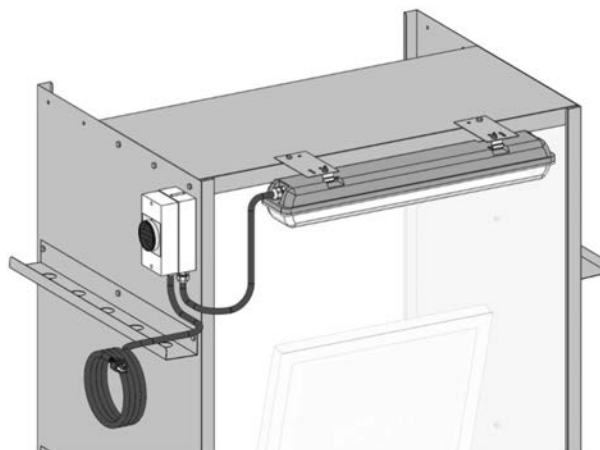
- 3) Install the light to the Hanger Plate using the 10-32 x 1/2" bolt and serrated nut. Make sure to slide the bolt up through the mounting bracket before you clip it to the light.



- 4) The Light Switch will come with (2) strips of double sided tape on the back. Clean the surface of the booth where you desire to mount the switch with isopropyl alcohol, then remove the film from the back of the double sided tape and mount the switch. Be sure to press firmly for 30 seconds. Alternatively you can mount the Light Switch using the mounting holes on the back which are 5 7/8" apart.



- 5) Plug power cord into a properly grounded outlet. Outlet should be minimum 15 amp, and GFCI type if within 3' of water source.



VWB-3627-AC with Light Kit Upgrade